

SYLVANIA

GENERAL TELEPHONE & ELECTRONICS

FACTORY PREPARED

TECHNICAL SERVICE DATA

MODEL: AS35 AIR SUSPENSION SPEAKER

MODEL: AS35



SERVICE PUBLICATIONS DEPARTMENT

Entertainment Products Division · Sylvania Electric Products Inc. · 700 Ellicott Street · Batavia, N.Y.

REMOVAL OF GRILLE ASSEMBLY AND SPEAKERS

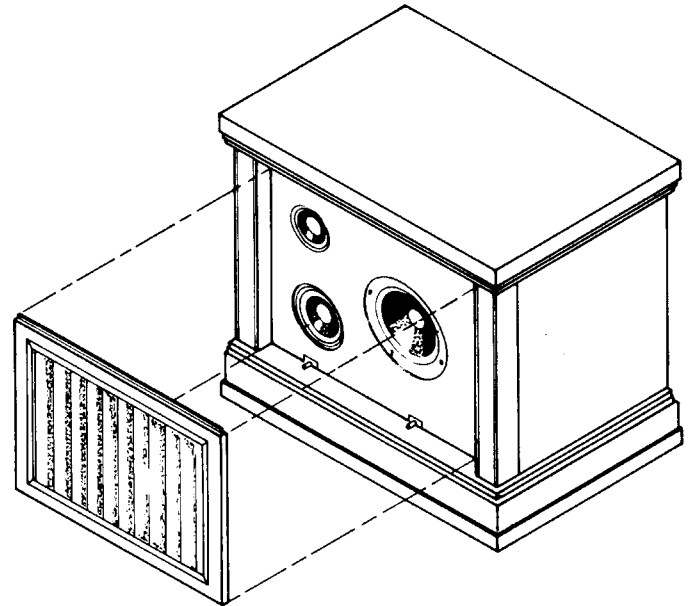
Speaker replacement is accomplished from the FRONT of the cabinet only. Access to the speakers is provided when the front grille assembly is removed.

CAUTION - Any attempt to pull the bottom rail of the speaker grille away from the cabinet from the front will damage the curtain.

The grille is held in place by two (2) fasteners at the bottom and by a groove at the top. Insert a screw driver or other suitable instrument through the 3/4" access hole in the bottom of the cabinet in back of the front rail and force the bottom of the grille assembly forward (away from the front of the cabinet) for grille removal.

Remove screws from speaker and lift from housing. Disconnect leads from speaker. Be sure to observe correct phasing when installing speakers. Original Mortite may be reused for air-tight mounting.

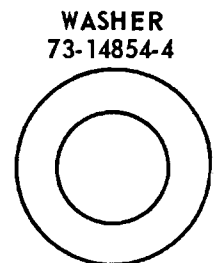
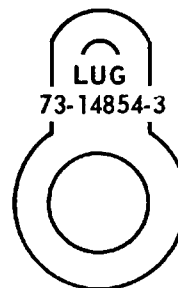
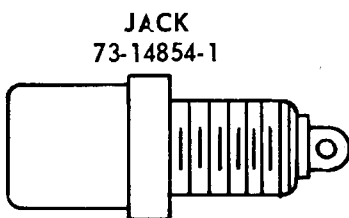
Replace grille in original position by locating tongue at top of grille in proper groove in cabinet and then pushing bottom of grille in place.



The AS35 is a furniture style "air suspension" sealed speaker system incorporating a high compliance 12" bass driver, a 4" high compliance closed back midrange and a wide dispersion 1" super dome tweeter.

PERFORMANCE:

Nominal System Impedance	8 ohms
Frequency Response	35-20kHz ± 3db
	25-25kHz ± 6db
System Resonance	55Hz
Enclosure Volume	4800 cu. in.
Crossover Frequencies - Tweeter	8kHz
- Midrange	1.5kHz



IMPORTANT: Always use genuine Sylvania replacement parts and tubes.

(over)

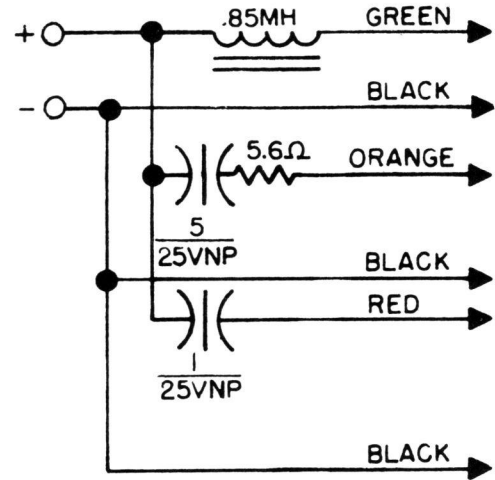
MODEL: AS35

MODEL: AS35

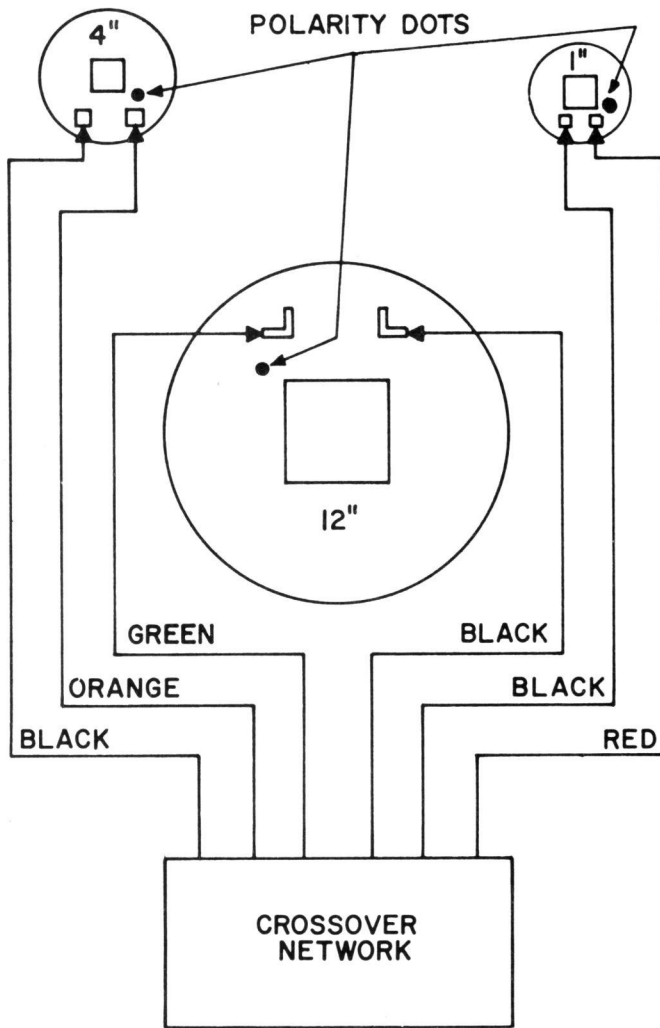
REPLACEMENT PARTS LIST

DESCRIPTION	SERVICE PART NO.
Catch (with strike)	70-56693-10
Cord - Speaker	73-14921-6
Jack - Mounting Eyelet	70-14635-2
- Phono	73-14854-1
- Nut	73-14854-2
- Lug	73-14854-3
- Washer	73-14854-4
Speaker - 1" Dome	12-26245-1
- 4" PM	12-28066-1
- 12" PM	12-22112-2
- Crossover - Capacitor 1/25VNP	41-14304-1
- Capacitor 5/25VNP	41-14304-3
- Choke, .85mH	56-14305-2
- Resistor 5.6 ohm, 5W	36-62454-19

SCHEMATIC DIAGRAM



SPEAKER COMPLEMENT



— NOTE: —
SHOWN AS VIEWED
FROM REAR OF
SPEAKERS

CROSSOVER NETWORK

